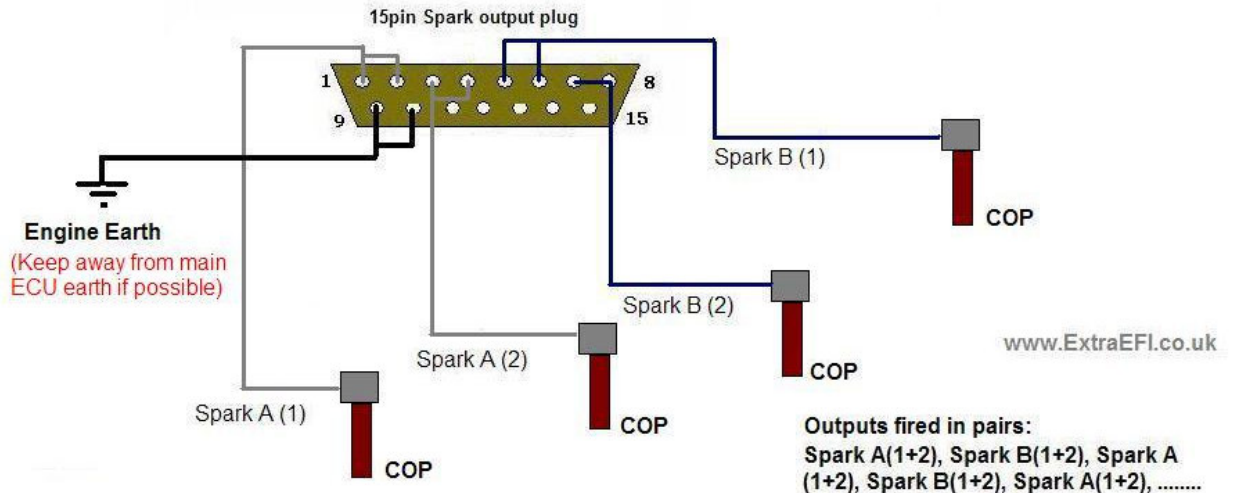




4cy COP (Coil On Plug) Wasted Spark



Ideally wire the 12V feed to the coil pack from the fuel pump relay.

Both Spark A outputs fire at the same time and then both Spark B outputs fire at the same time. Each output drives an individual coil (COP) directly or fires the COP ignitor module.

*Connect the spark ground cable to the engine.
Keep it away from the main ECU earth if possible.*

Example

So if firing order is 1,3,4,2 connect:

Spark A(1) - cy 1

Spark B(1) - cy 3

Spark A(2) - cy 4

Spark B(2) - cy 2

In this example cy 1 and 4 will fire together and 3 and 2 will fire together in a wasted spark format.

www.ExtraEFI.co.uk