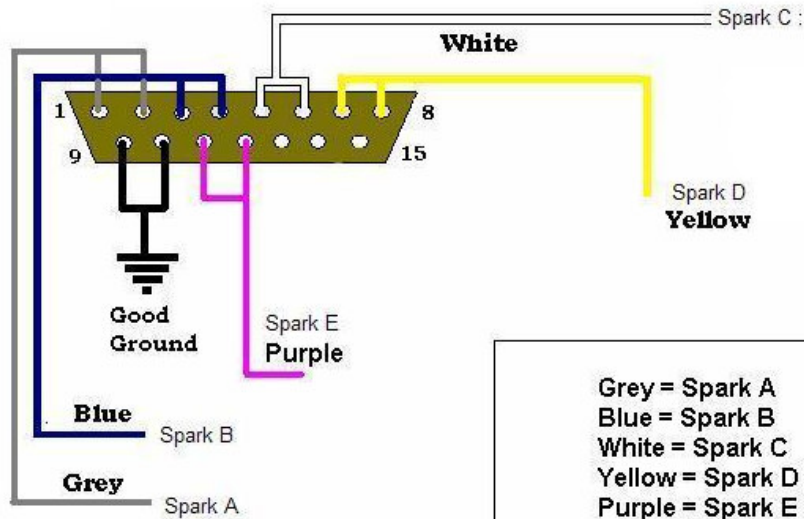




## 5cy COP Sequential

(Cam sensor needed for this setup)



Grey = Spark A  
Blue = Spark B  
White = Spark C  
Yellow = Spark D  
Purple = Spark E

**Firing Order from ECU =  
A,B,C,D,E,A,B,C,.....**

Ideally wire the 12V feed to the coil pack from the fuel pump relay.

[www.ExtraEFI.co.uk](http://www.ExtraEFI.co.uk)