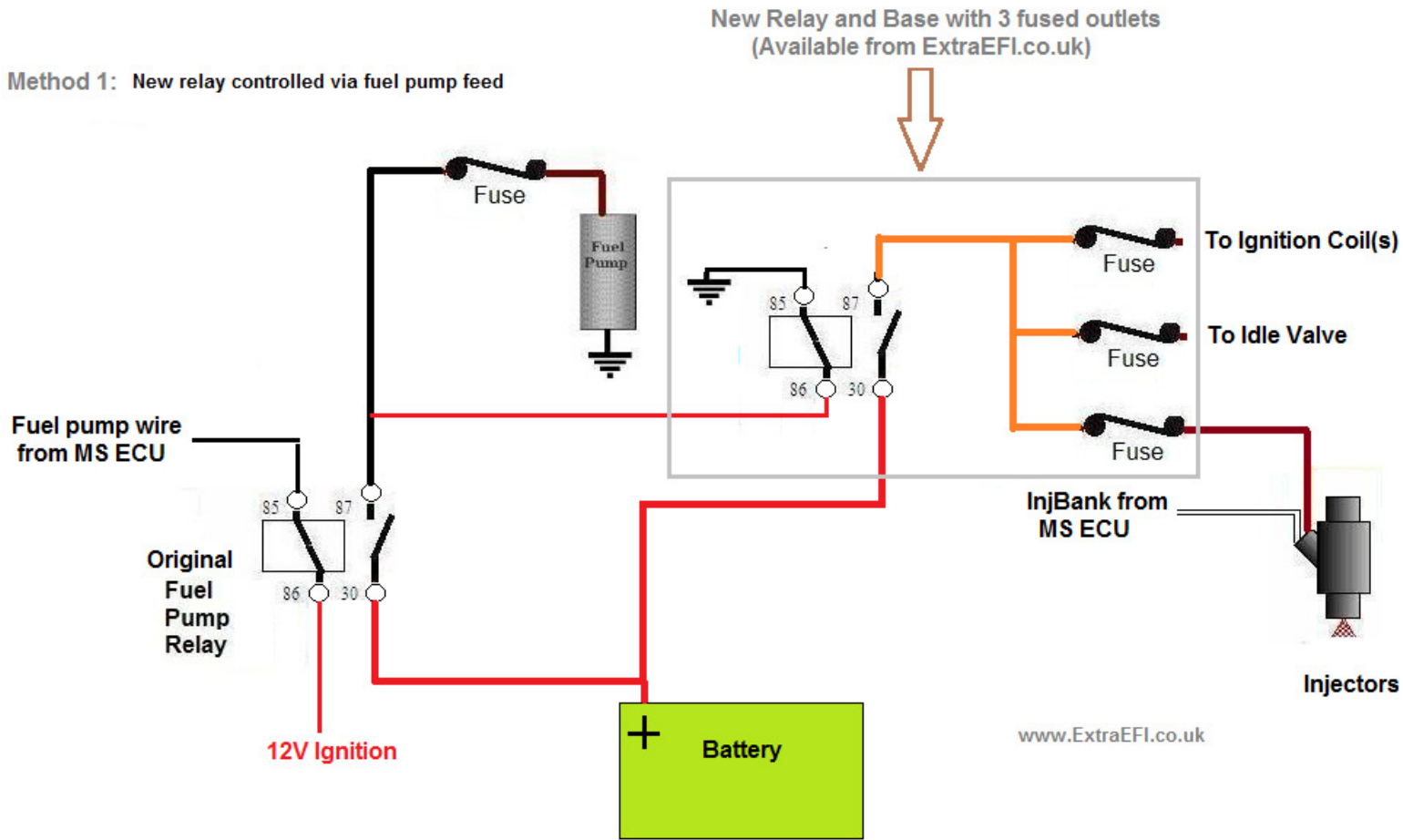


Suggested Wiring for Control

Method 1: New relay controlled via fuel pump feed



Method 2: New relay controlled from MS ECU

