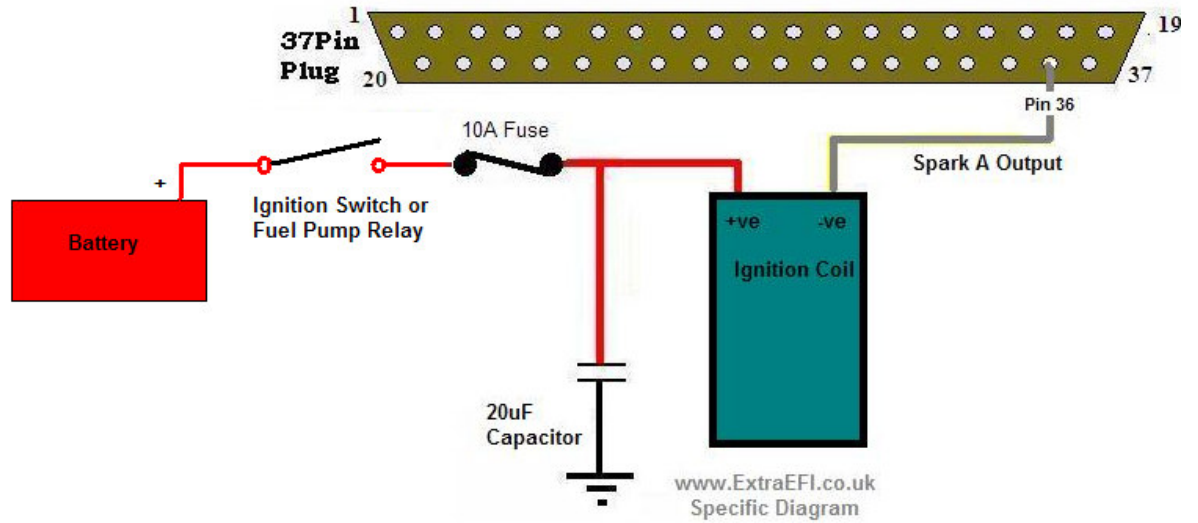




Single Coil Setup (Distributor)



Ensure the Capacitor is wired in as close to the coil as possible.
Ground it to the engine block.

www.ExtraEFI.co.uk