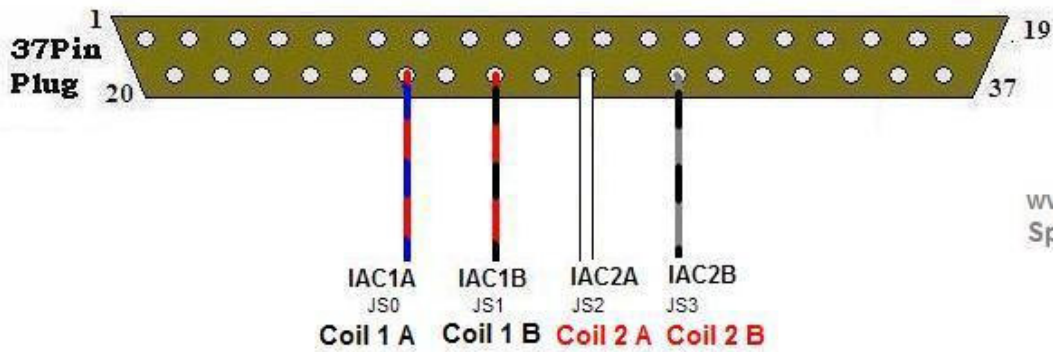
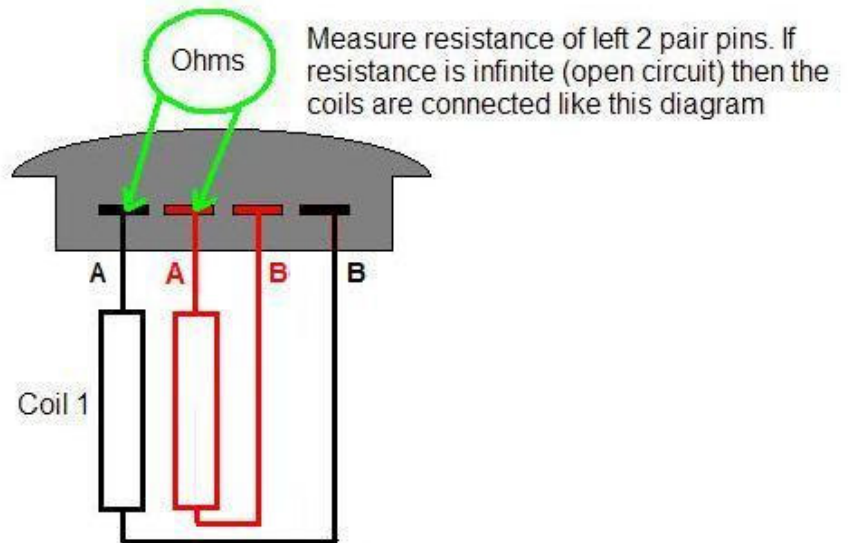
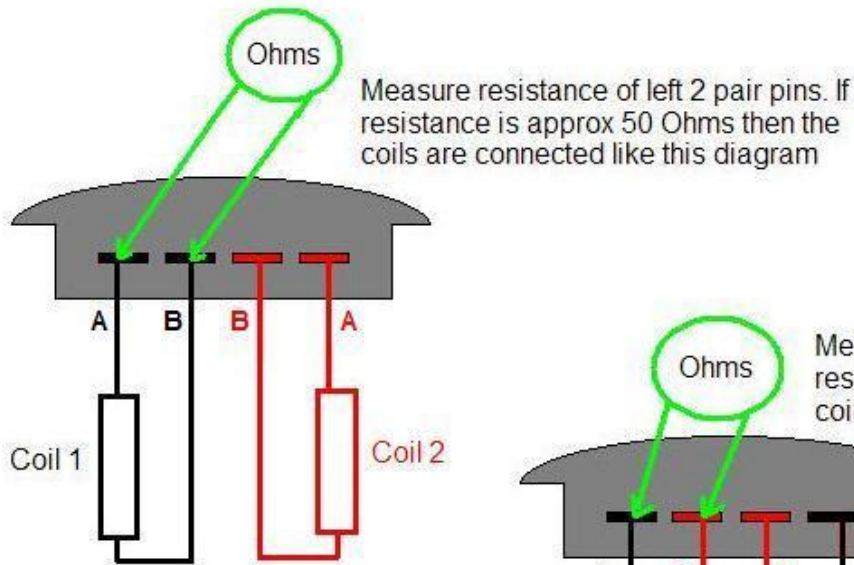


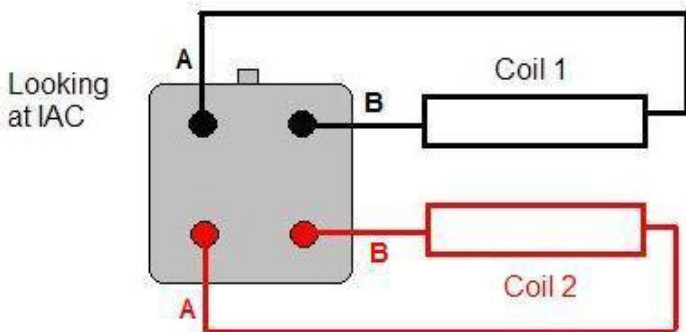
Stepper motor Idle control valves MS2-Extra ONLY



www.ExtraEFI.co.uk
Specific Diagram



Square Stepper



NOTE:

If the stepper motor does not move then it is possible one of the windings is wired the wrong way round. Simply swap a pair of wires around on the same coil, e.g. Coil 1 A with Coil 1 B.

If the stepper works in reverse (it retracts when it should extend) then swap A and B over on each coil, so Coil 1A connects to Coil 1B and Coil 2A connects to Coil 2B.