

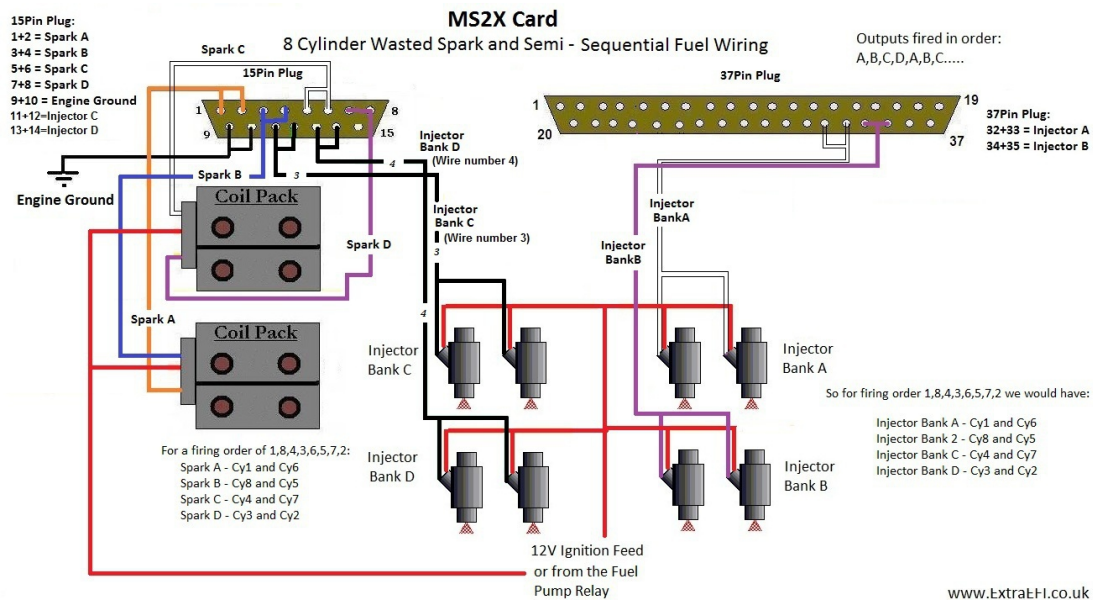


[www.ExtraEFI.co.uk](http://www.ExtraEFI.co.uk)

## MS2X Card

# 8 Cylinder Semi-Sequential Fuel and Wasted Spark

Ideally wire the 12V feed to the coil packs and Injectors from the fuel pump relay.



Ensure ALL grounds go back directly to the engine block!!

**Note:**

Injector banks C and D come from the 15 pin connector

Pin 11+12 - Injector C (Black wire labelled with number 3)

Pin 13+14 - Injector D (Black wire labelled with number 4)

Injector Banks A and B come from the main 37 pin plug.

White wire – Injector A

Purple wire – Injector B