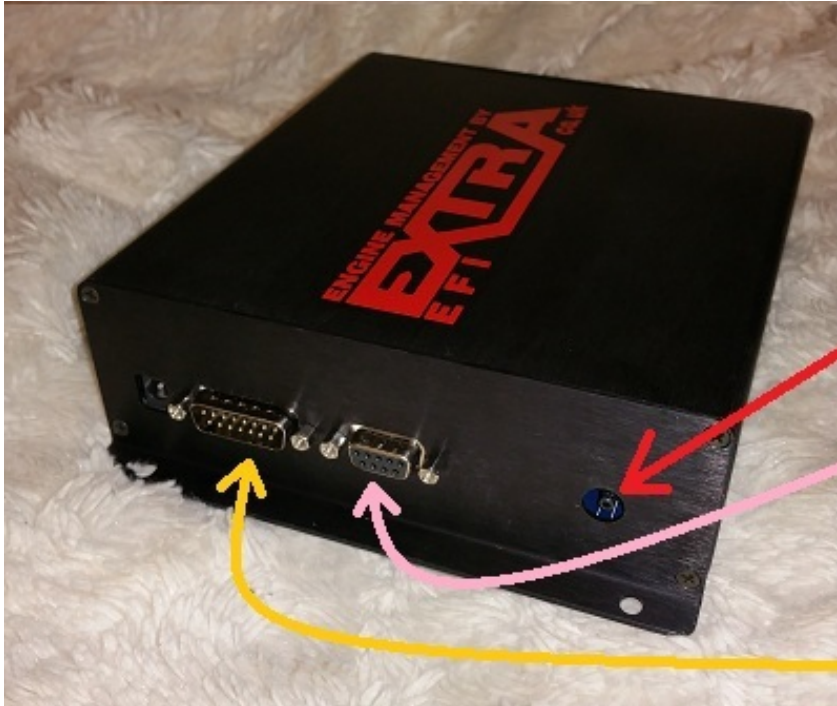




MS2 MX5 PnP ECU

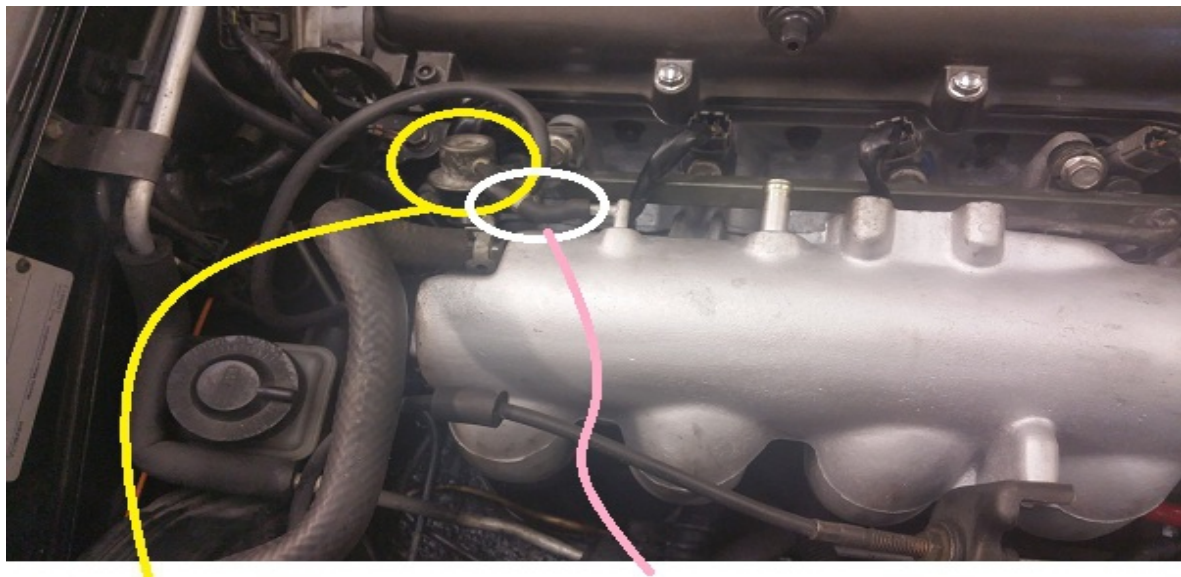


**MAP sensor
(Manifold Air Pressure) in MS2
PnP ECU.**

Connect vacuum pipe into here and other end to the manifold. Best place is the fuel pressure regulator reference pipe. Simply "T" into that vacuum line.

RS232 Comms

**Small Loom connection
(db15)**



Fuel pressure regulator

T into this vacuum pipe for the MAP signal to the ECU

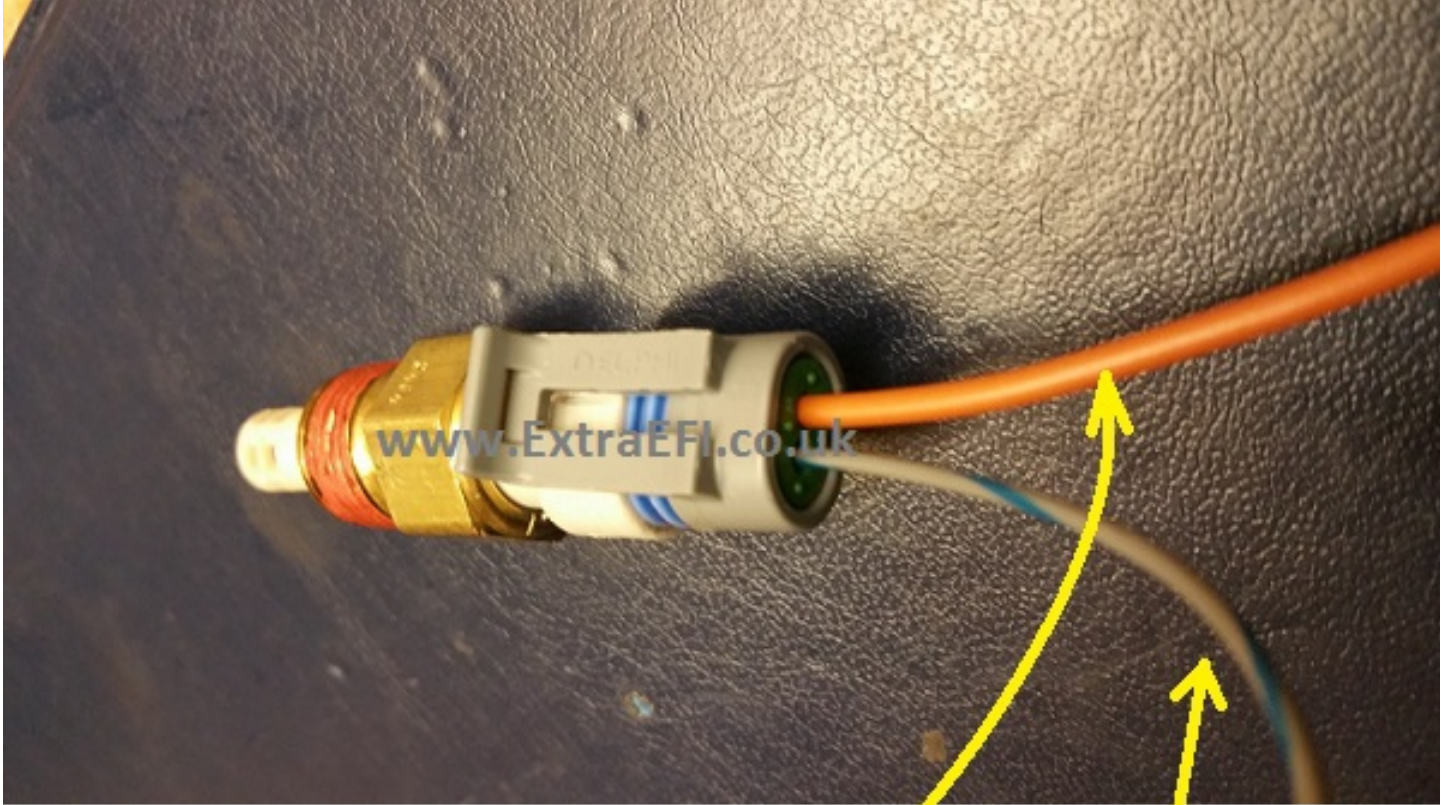
www.ExtraEFI.co.uk

For 1990 – 1993 setups Only!



For 1990 - 93 Setups, please remove 10A fuse ST SIG - For all other leave this fuse in.

Air Temp Sensor
(Essential to correct working of MS ECU!)



From db15 wiring loom supplied:

Sensor Ground wire

Air Temp Sensor wire

Thread each wire through the back of the connector and out the other side.

Solder the ends of the wires to the terminals and push the terminals back into the connector.

The air temp sensor needs to be fitted in the air intake somewhere it won't get heat soak from the engine or exhaust.

The best place I have found for this is as close to the air filter as possible on a NA setup, or directly after the intercooler on a boosted setup (after the turbo / charger).

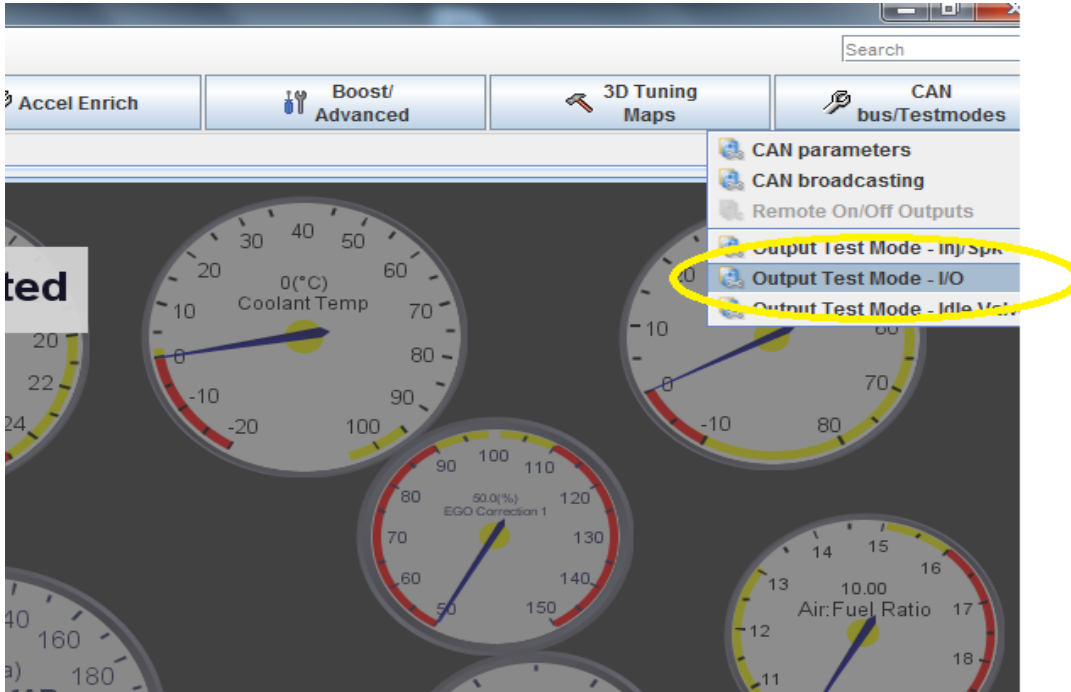
It will need a 3/8NPT thread to fit it so the sensor end is actually in the air flow of the intake.

www.ExtraEFI.co.uk

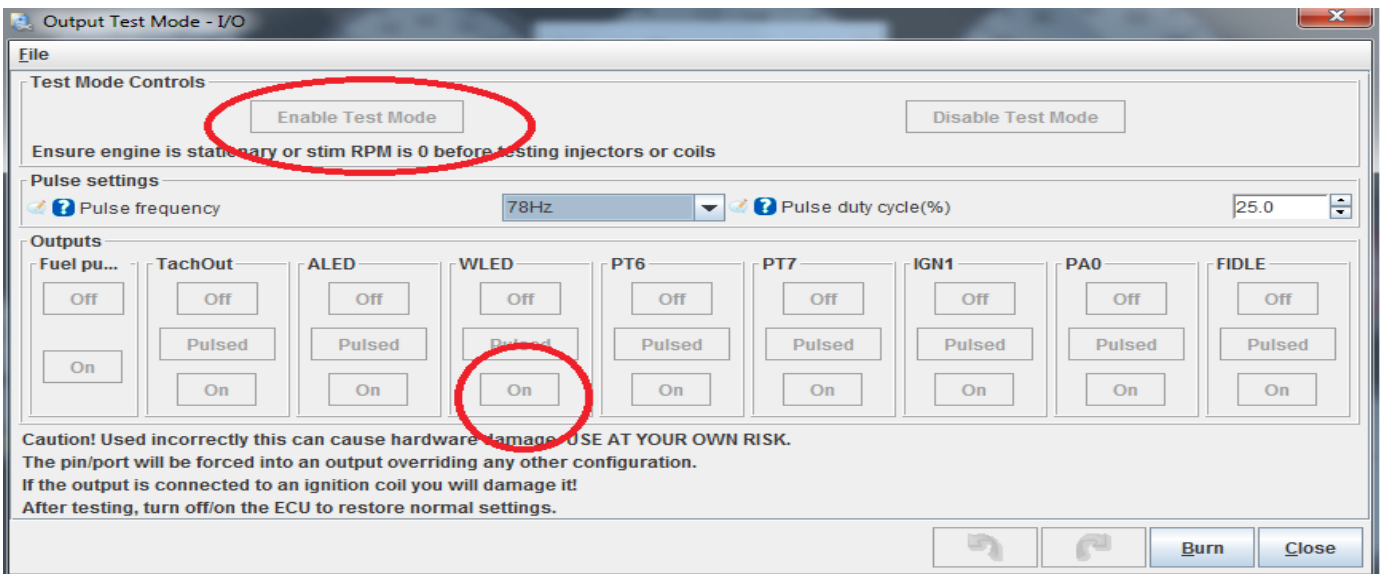
Cooling Fan

Before starting the car ensure the cooling fan works.

To do this connect Tuner Studio up and turn the ignition on.

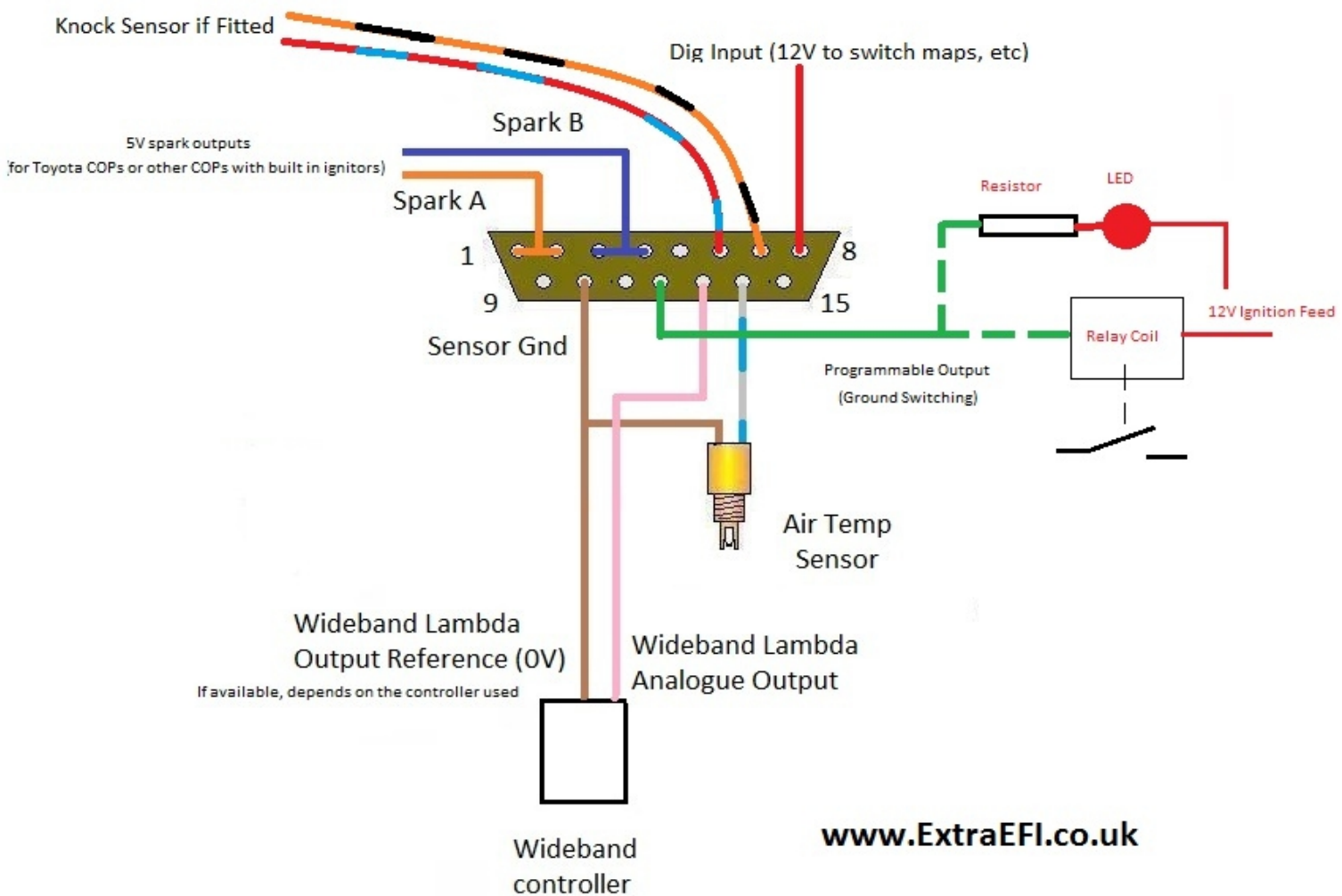


Select Output Test Mode then Enable Test Mode.



The Fan is controlled by WLED, switch it ON and ensure the fan runs. Disable Test Mode to go back to normal. To select the temperature its switched on at, go to Output Ports – WLED

db15 Pin Loom



The Programmable output (green wire) is PA0 and can be used for Boost control as well as a relay or a warning LED, etc. (Ground switching output)

The Digital Input PE1 (red wire) can be used for switching maps, launch control, etc. (Ground this input to activate)

The 5V spark outputs are not always fitted, this is an option if you wanted to use Toyota COPs.