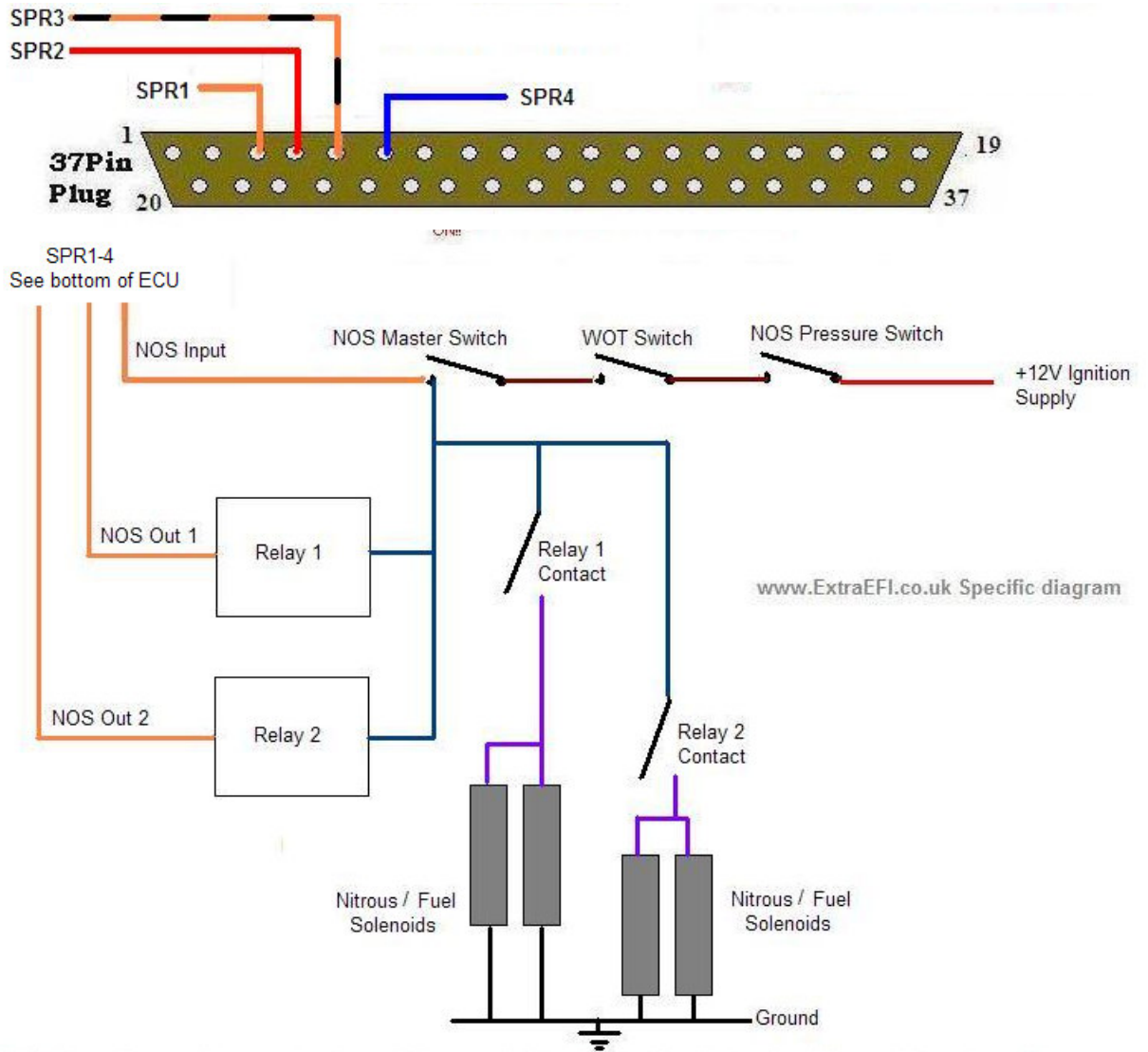




NOS System (MS2 ONLY)



The MS2-Extra 2.0 code supports one or two stages of nitrous control in either "wet" or "dry" modes. The operation works as follows.

An arming input signal is sent to the Megasquirt CPU when the power is on and the safety switches are closed. Once the arming input is active and the rpm, throttle and temperature conditions are met then the system is activated. (Note! This is different from MS1/Extra.)

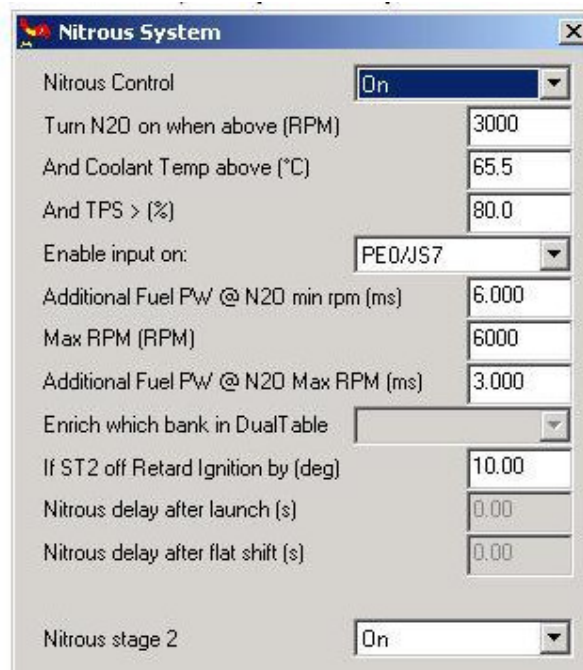
Stage 1 outputs in IAC1 and can optionally retard timing and inject additional fuel through the injectors.

If launch and/or flat shift are used, the nitrous is automatically disabled. You can optionally set a delay from launch to nitrous activation.



The screenshot shows a window titled "Nitrous System stage 2" with a close button (X) in the top right corner. It contains a list of configuration parameters, each with a text label and a corresponding input field:

Enable stage 2 above (RPM)	5000
Max RPM (RPM)	6000
delay after stage1 (s)	2.50
Retard Ignition by (deg)	5.00
Additional Fuel PW @ N2O min rpm (ms)	1.998
Additional Fuel PW @ N2O Max RPM (ms)	0.999



The screenshot shows a window titled "Nitrous System" with a close button (X) in the top right corner. It contains a list of configuration parameters, each with a text label and a corresponding input field:

Nitrous Control	On
Turn N2O on when above (RPM)	3000
And Coolant Temp above (°C)	65.5
And TPS > (%)	80.0
Enable input on:	PEO/JS7
Additional Fuel PW @ N2O min rpm (ms)	6.000
Max RPM (RPM)	6000
Additional Fuel PW @ N2O Max RPM (ms)	3.000
Enrich which bank in DualTable	
If ST2 off Retard Ignition by (deg)	10.00
Nitrous delay after launch (s)	0.00
Nitrous delay after flat shift (s)	0.00
Nitrous stage 2	On

www.ExtraEFI.co.uk